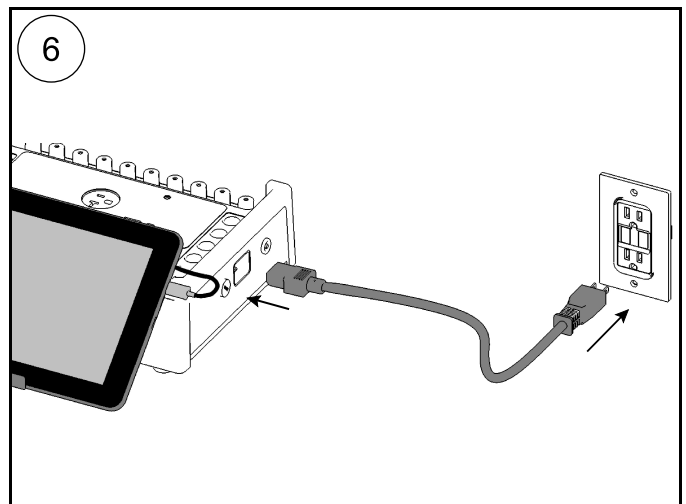
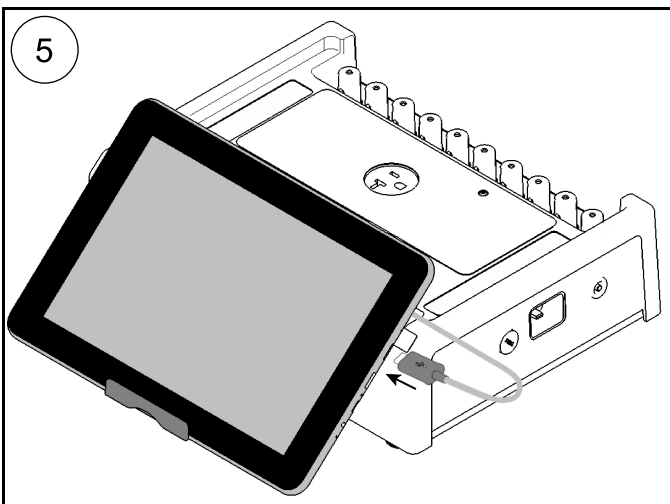
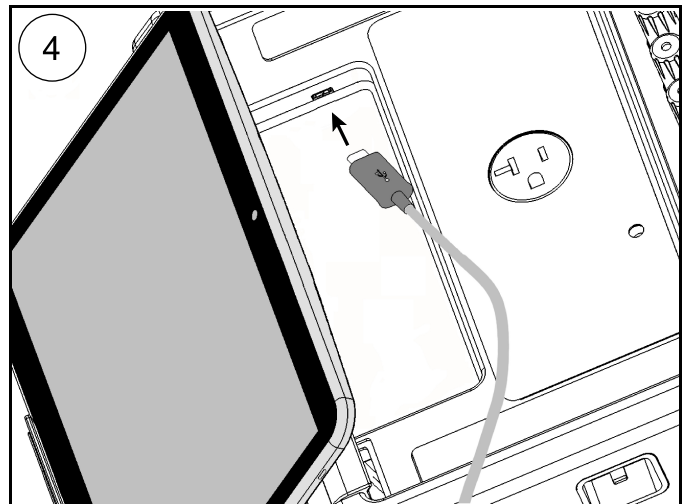
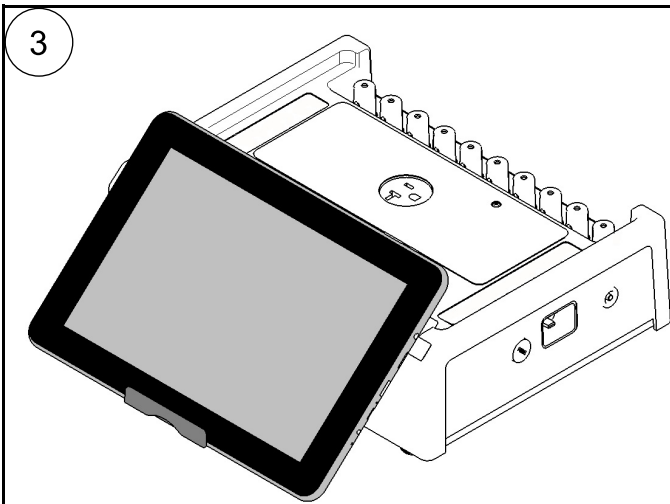
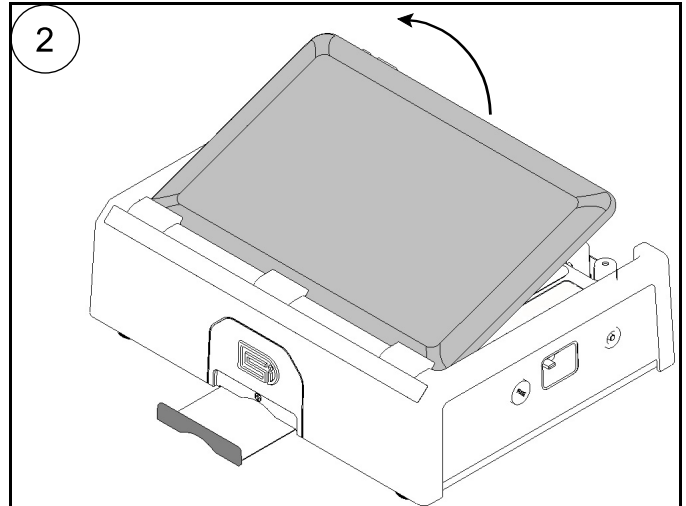
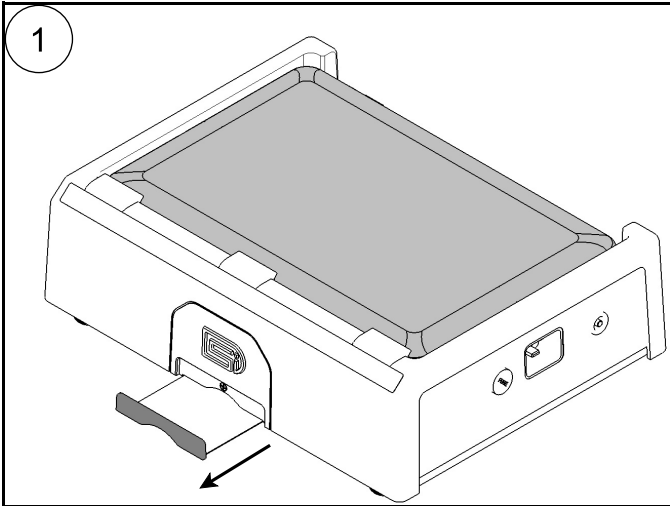
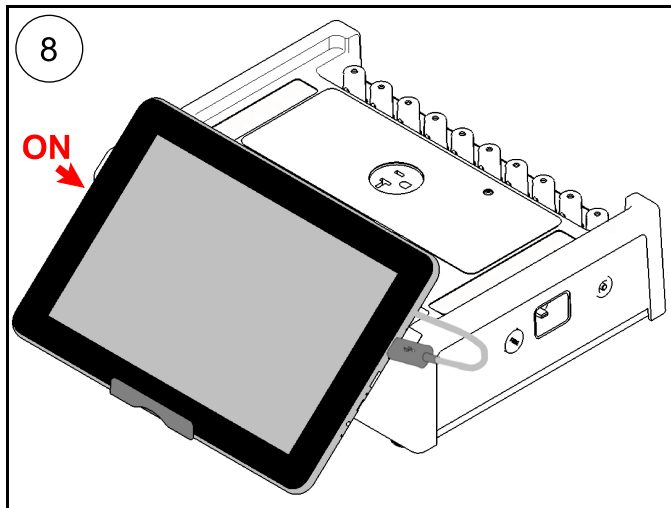
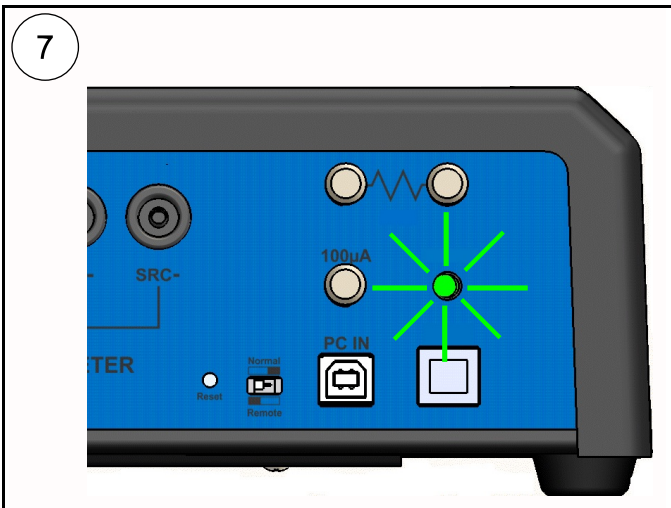


- Package Contents:
- SAFETY ANALYZER (vPad-ES 2)
 - POWER CORD (3000-0xx)
 - KELVIN CABLE (3140-475)
 - USB CABLE (3140-478)





Exit

Datrend Systems Inc.
 130- 4020 Viking Way, Richmond, BC, Canada V6V 2L4
 Phone: 604-291-7747 Fax: 604-294-2355 Toll Free: 1-800-667-6557
 E-mail: customerservice@datrend.com Web: www.datrend.com